

Type 42-36 E Pressure-independent Control Valve (PICV)

Application

Self-operated regulators for flow rate control in district heating systems or large heating or cooling networks. Combined with an electric actuator used to transmit the control signal of an electric controller.



Valves in nominal sizes **DN 15 to 250** · Nominal pressure **PN 16 to 40** · Suitable for liquids from **5 to 150 °C**

The valve closes when the flow rate or the output signal of the electric controller increases. The largest signal closes the valve.

The combined regulators consist of:

- A valve with flanged body
- A diaphragm actuator
- An adapter to adjust the flow rate set point and to attach the electric actuator
- An electric actuator

The electric actuator is available with or without fail-safe action and changes the flow rate set point depending on the output signal issued by the electric controller.

The regulators are equipped with the following electric actuators:

- Valves in **DN 15 to 50** · **Type 5824** Electric Actuator without fail-safe action or **Type 5825** Actuator with fail-safe action Refer to Data Sheet ▶ **T 5824**
- Valves in **DN 65 to 100** · **Type 3374-11** Electric Actuator without fail-safe action, **Type 3374-21** Actuator with fail-safe action or **Type 5824-30** Electric Actuator without fail-safe action · Refer to Data Sheet ▶ **T 8331**
- Valves in **DN 125 to 250** · **Type 3274-11** Electrohydraulic Actuator without fail-safe action or **Type 3274-21** Electrohydraulic Actuator with fail-safe action · Refer to Data Sheet ▶ **T 8340**
Type 3374-15 Electric Actuator without fail-safe action Refer to Data Sheet ▶ **T 8331**

Special features

- Low-maintenance, medium-controlled proportional regulators requiring no auxiliary energy
- Compact design
- Single-seated valve with a balanced valve plug provides high accuracy of the adjusted maximum flow rate
- Control quality independent of the network differential pressure, for example for temperature control with weather-compensated control equipment
- Suitable for water and other liquids, provided these do not

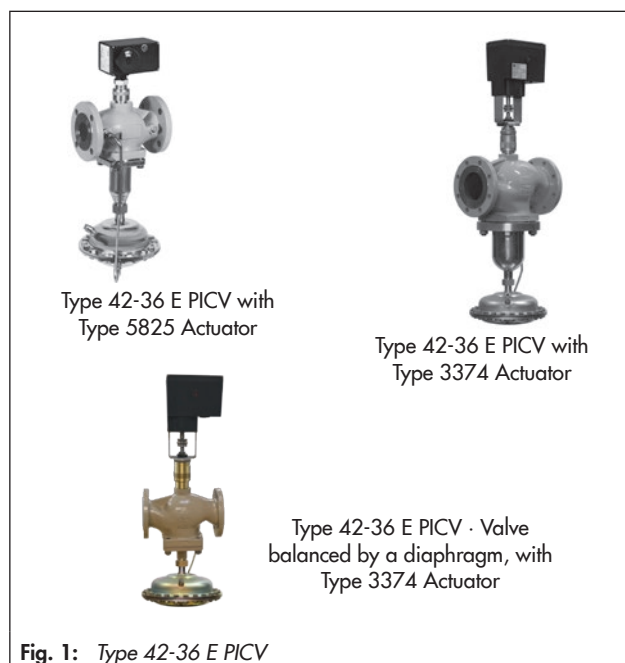


Fig. 1: Type 42-36 E PICV

cause the materials used to corrode

Versions

Type 42-36 E (Fig. 1) · Pressure-independent control valve in **DN 15 to 250**, consisting of a **Type 2426** Diaphragm Actuator and a **Type 2423 E** Valve with a restriction to adjust the flow rate set point · Installation in the flow or return flow pipe
The set point ranges for the flow rate based on water listed in Table 3 apply to a differential pressure at the restriction of 0.2 or 0.5 bar.

Control equipment tested according to DIN EN 14597 are available. The register number is available on request.

Special versions

With internal parts made of FPM (FKM), e.g. for use with mineral oils · For temperatures up to 220 °C

ANSI version on request

Table 2: Technical data · Valves · All pressures in bar

Type 2423 E Valve	Balanced by a bellows	Balanced by a diaphragm
Nominal size	DN 15 to 250	DN 65 to 250
Nominal pressure	PN 16, 25 and 40	
Max. medium temperature	150 °C	
Max. ambient temperature	50 °C	
Compliance	CE · ENEC	

Table 3: K_{VS} coefficients, x_{FZ} values, flow rate set point ranges for water and max. permissible differential pressures

Type 2423 E Valve, balanced by a bellows															
Valve size	DN	15	20	25	32	40	50	65	80	100	125	150	200	250	
Valve travel		10 mm						16 mm			22 mm				
K_{VS} coefficient		4	6.3	8	16	20	32	50	80	125	190	280	420	500	
x_{FZ} value		0.65	0.6	0.55		0.45	0.4		0.35				0.3		
Max. perm. differential pressure Δp		25 bar						20 bar		16 bar		12 bar		10 bar	
Flow rate set point ranges for water in m ³ /h															
For differential pressure of	$\Delta p_{restriction} = 0.2$ bar	0.5 to 2	0.5 to 3	0.8 to 3.5	2 to 7	3 to 11	3 to 16	5 to 28	7 to 35 ¹⁾	10 to 63	40 to 80	50 to 120	70 to 180	90 to 220	
	$\Delta p_{restriction} = 0.5$ bar	0.8 to 3	0.8 to 4.5	1.2 to 5.3	3 to 9.5	4.5 to 16	4.5 to 24	7.5 to 40	10 to 55	15 to 90	60 to 120	75 to 180	100 to 260	120 to 300	
Type 2423 E Valve, balanced by a diaphragm															
Valve size	DN	65	80	100	125	150	200	250							
K_{VS} coefficients in m ³ /h		50	80	125	250	380	650	800							
x_{FZ} value		0.4		0.35				0.3							
Max. permissible differential pressure Δp		10						12 bar			10 bar				
Flow rate set point ranges for water in m ³ /h															
For differential pressure of	$\Delta p_{restriction} = 0.2$ bar	5 to 28		7 to 35 ¹⁾		10 to 63		40 to 90		50 to 140		70 to 220		90 to 260	
	$\Delta p_{restriction} = 0.5$ bar	7.5 to 40		10 to 55		15 to 90		60 to 130		75 to 200		100 to 310		120 to 360	

¹⁾ 7 to 35 m³/h with 160 cm² actuator, 7 to 40 m³/h with 320 cm² actuator

Differential pressure across the valve

The minimum required differential pressure Δp_{min} across the valve is calculated as follows:

$$\Delta p_{min} = \Delta p_{restriction} + \left(\frac{\dot{V}}{K_{VS}} \right)^2$$

- Δp_{min} Minimum differential pressure across the valve in bar
- $\Delta p_{restriction}$ Differential pressure created at the restriction for measuring the flow rate in the regulator
- \dot{V} Adjusted flow rate in m³/h
- K_{VS} Valve flow coefficient in m³/h

Sample application

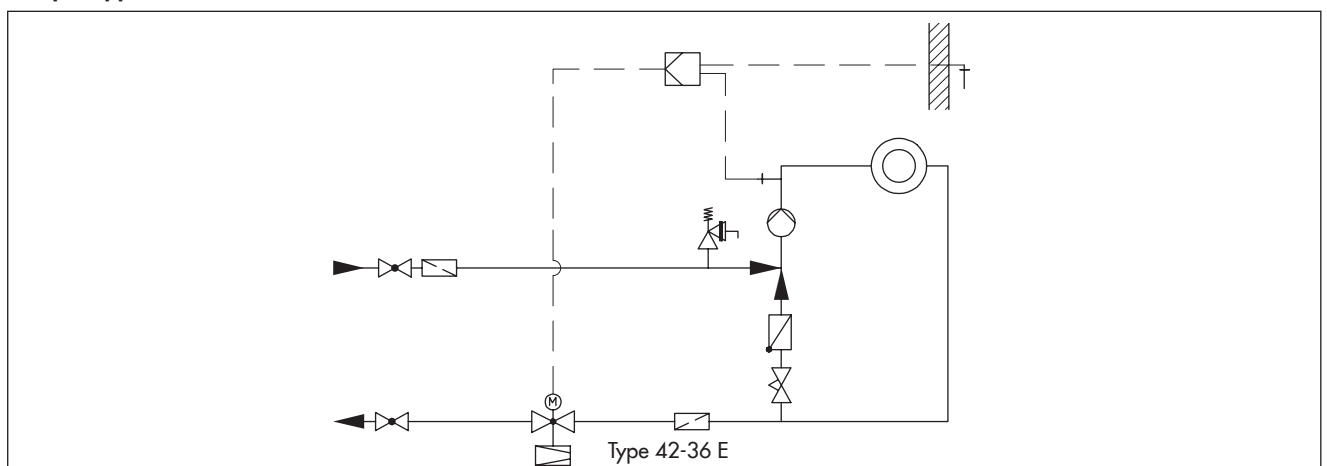


Fig. 3: Injection mixing system with Type 42-36 E Pressure-independent Control Valve

Table 4: Technical data · Actuators

Type 5824-10, Type 5825-10, Type 5824-20, Type 5824-30, Type 5825-20, Type 3374-11 and Type 3374-21 Electric Actuators							
Nominal size	DN 15 to 25		DN 32 to 50		DN 65 to 100		
Type ...	5824-10	5825-10	5824-20	5825-20	3374-11	3374-21	5824-30
Fail-safe action	Without	With	Without	With	Without	With	Without
Rated travel	6 mm		12 mm		15 mm		15 mm
Transit time for rated travel	45 s		70 s		120 s		90 s
Transit time for fail-safe action	–	4 s	–	6 s	–	12 s	–
Positioning force	700 N	–	700 N	–	2500 N	500 N · Stem retracts	700 N
Nominal closing force of spring	–	500 N	–	500 N		2000 N · Stem extends	
Electrical connection	24 V, 50 Hz 230 V, 50/60 Hz 120 V, 60 Hz				230 V, 50/60 Hz 24 V, 50/60 Hz · 120 V, 60 Hz 24 V (DC) 85 to 264 V, 50/60 Hz ²⁾		24 V, 50 Hz 230 V, 50/60 Hz 120 V, 60 Hz
Power consumption	5 VA	7 VA	5 VA	7 VA	Max. 18 VA		3 VA
Permissible ambient temperature	0 to 50 °C				5 to 60 °C		0 to 50 °C
Perm. temperature at the connecting stem	0 to 130 °C				–		–
Refer to Data Sheet	▶ T 5824				▶ T 8331		▶ T 5824

Type 3274-11 and Type 3274-21 Electrohydraulic Actuators · Type 3374-15 Electric Actuator			
Nominal size	DN 125 to 250		
Type ...	3274-11	3274-21	3374-15
Fail-safe action	Without		Without
Rated travel	30 mm		
Transit time for rated travel	120 s		
Transit time for fail-safe action	–	30 s	–
Positioning force	2100 N · Stem retracts 1800 N · Stem extends		2500 N
Nominal closing force of spring			
Electrical connection	230 V, 50/60 Hz 24 V, 50/60 Hz 120 V, 60 Hz		
Power consumption	80 VA		Max. 18 VA
Permissible ambient temperature	–35 to 60 °C ¹⁾		5 to 60 °C
Perm. temperature at the connecting stem	–		–
Refer to Data Sheet	▶ T 8340		▶ T 8331

¹⁾ With heating

²⁾ With positioner

Table 5: Materials · Material numbers according to DIN EN

Type 2423 E Valve, balanced by a bellows					
Nominal pressure	PN 16	PN 25	PN 16, 25 and 40		
Valve body	Cast iron EN-JL1040	Spheroidal graphite iron EN-JS1049	Cast steel 1.0619	Cast stainless steel 1.4408	Forged stainless steel 1.4571 ¹⁾
Seat	1.4104, 1.4006			1.4404	
Plug	Up to DN 100	1.4104, 1.4006 ²⁾		1.4404	
	DN 125 to 250	1.4301, 1.4404 with PTFE seal			
Plug stem	1.4301				
Metal bellows	1.4571 · DN 125 and higher: 1.4404				
Bottom section	P265GH			1.4571	
Body gasket	Graphite on metal core				
Type 2423 E Valve, balanced by a diaphragm					
Nominal pressure	PN 16	PN 25	PN 16, 25 and 40		
Valve body	Cast iron EN-JL1040	Spheroidal graphite iron EN-JS1049	Cast steel 1.0619	Cast stainless steel 1.4408	–
Valve seat	Red brass ^{3) 4)}				
Plug (standard version)	Red brass ^{3) 5)} with EPDM soft seal, max. 150 °C or with PTFE soft seal, max. 150 °C				
Pressure balancing	Balancing cases made of sheet steel DD11 · EPDM balancing diaphragm, max. 150 °C or NBR diaphragm, max. 80 °C				
Type 2426 Actuator					
Diaphragm cases	Sheet steel DD11			1.4301	
Diaphragm	EPDM with fabric reinforcement · Special version for mineral oils: FPM (FKM)				
Guide bushing	DU bushing			PTFE	
Type 5824 and Type 5825 Electric Actuators					
Housing, housing cover	Plastic (PPO with glass fiber reinforcement)				
Coupling nut	Brass				
Type 3274 Electrohydraulic Actuator					
Housing, housing cover	Die-cast aluminum				
Cylinder	Hydraulic cylinder tube				
Piston	Steel/NBR combination				
Piston rod	C45, hard chrome-plated				
Actuator stem	1.4104				
Hydraulic oil	Special HLP, silicone-free				
Type 3374 Electric Actuator					
Housing and cover	PPO with glass fiber reinforcement				
Central attachment and yoke	Flange: aluminum, connecting thread M30x1.5 · Formed sheet: 1.4301H injected into housing, 30 mm hole				
Actuator stem	1.4305				

¹⁾ DN 15, 25, 40 and 50 only

²⁾ Optionally with soft seal with standard K_{vs} coefficients

³⁾ Special version 1.4409

⁴⁾ DN 65 to 100: 1.4006

⁵⁾ DN 65 to 100: 1.4104/1.4006

Principle of operation (see Fig. 4)

The regulators consist of a basic regulator for flow rate control and an electric or electrohydraulic actuator. The principle of operation for the basic regulator is described in the Data Sheet ▶ T 3015.

The set point for the flow rate is adjusted at the adapter (9). The adapter is also used to attach the electric actuator. The actuator is operated by control signals (mostly temperature signals) issued by an electric controller. As a result, the electric actuator adjusts the orifice (restriction) and the flow rate as a result.

The flow regulation is ultimately performed by the diaphragm actuator. The largest signal is always used to control the regulator.

A differential pressure $\Delta p_{\text{restriction}}$ is created at the restriction (orifice) by the medium flow. This differential pressure is transmitted over the control line (18) and the hole in the valve plug to the operating diaphragm (12) where it is converted into a positioning force. The diaphragm actuator controls the $\Delta p_{\text{restriction}}$ at the restriction (orifice) as well as the flow rate determined by the restriction setting by ensuring that the forces between the plug spring force and the actuator force remain in equilibrium. The maximum flow rate is adjusted at the set point adjuster (12), which adjusts the maximum orifice opening. If a slower flow rate is needed in the plant than the maximum flow rate adjusted, the electric actuator positions the orifice accordingly.

As the differential pressure across the orifice (restriction) has to be kept constant even when the network pressure drop changes, the valve (based on the electrically operated orifice) has a valve authority of 1. As a result, for example, the control quality of weather-compensated temperature control equipment is not affected by the pressure drop across the network.

Additional temperature control or safety equipment

The regulators in DN 150 and smaller can additionally be equipped with a double adapter (see Data Sheet ▶ T 3019) and a Type 2231 or Type 2232 Control Thermostat (see Information Sheet ▶ T 2010). In this case, they can perform additional temperature control. Similarly, the regulators can also be equipped with safety equipment, such as Type 2213 Safety Thermostat, Type 2212 Safety Temperature Limiter or Type 2401 Safety Pressure Limiter.

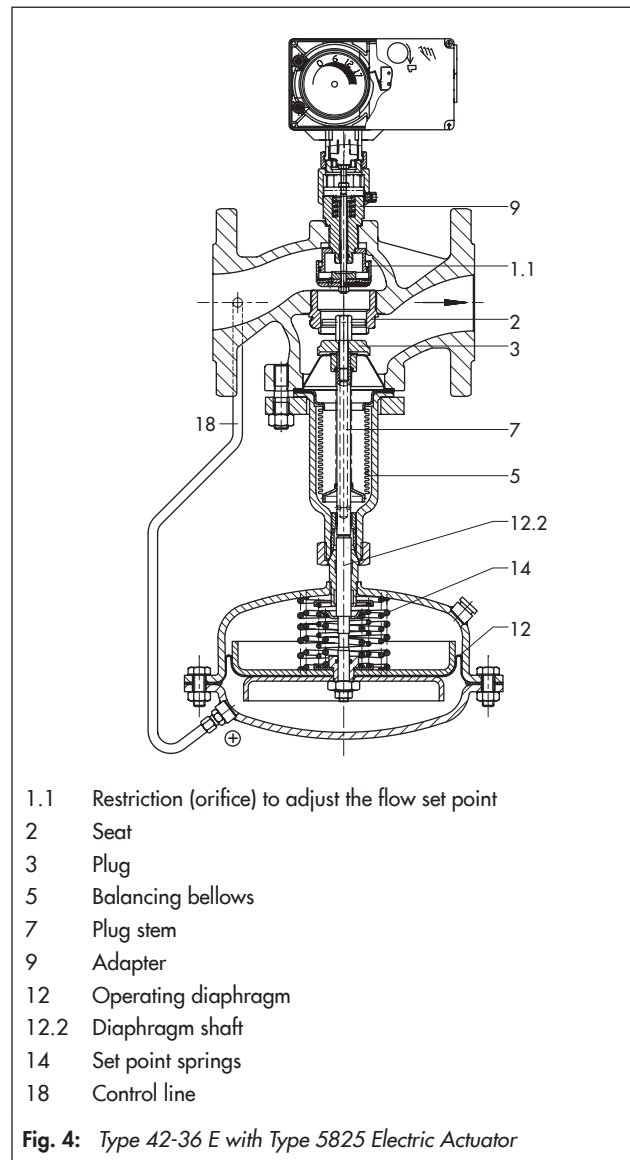
Installation

Choose a place of installation that allows you to freely access the regulator even after the entire plant is completed.

Install the valves in horizontal pipelines with the diaphragm actuator suspended downward. The direction of flow must correspond with the arrow on the valve body.

Valve and actuator are delivered unattached. The electric or electrohydraulic actuator can be easily mounted before or after the valve is installed. A coupling nut is used for attachment.

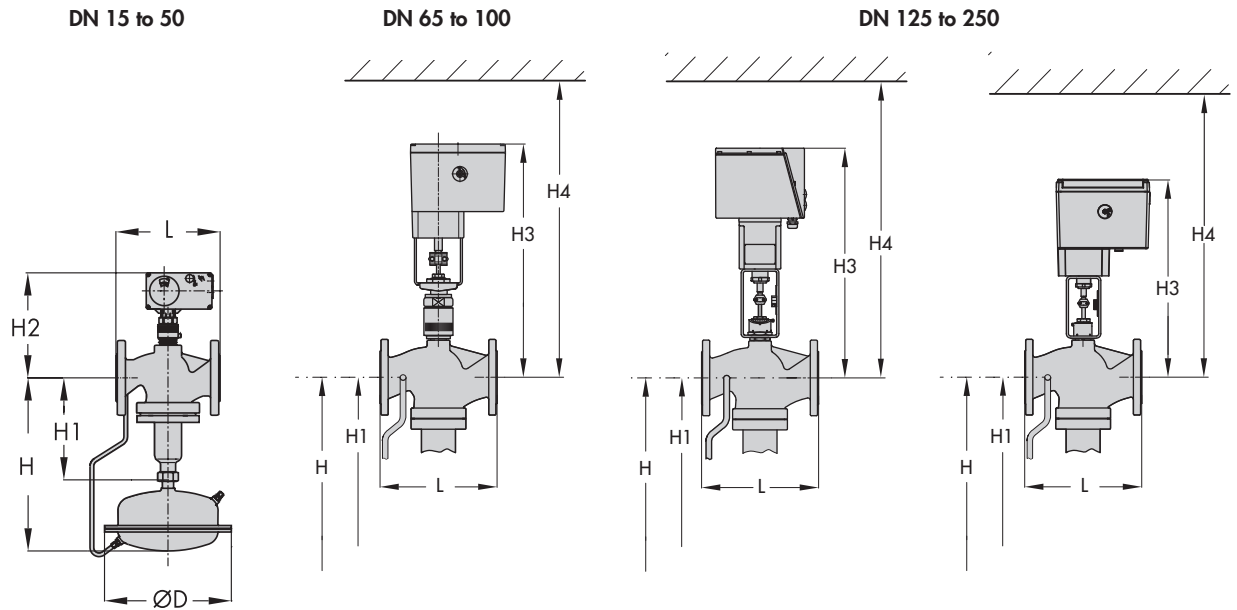
If the regulator is to be insulated, do not insulate actuator and coupling nut. Make sure the permissible ambient temperature is not exceeded. If necessary, install an extension piece to protect the actuator. The insulating limit is in this case approx. 25 mm above the top of the valve body.



Accessories

Required accessories, such as compression-type fittings, needle valves, equalizing tanks and control lines, are listed in Data Sheet ▶ T 3095.

Dimensional drawings · Type 2423 E Valve balanced by a bellows · DN 15 to 250



Type 42-36 E with actuator

Types 5824-10/-20
Types 5825-10/-20

Types 3374-11/-21

Types 3274-11/-21

Type 3374-15

Dimensions in mm and weights

Nominal size	DN	With Types 5824-10/-20 or Types 5825-10/-20 Actuator					With Types 3374-11/-21					
		15	20	25	32	40	50	65	80	100		
Length L		130	150	160	180	200	230	290	310	350		
Height H1		225					300		355			
Height H2		Forged steel 1.4571		218		-	240	-	260	266	-	
		Other materials		220		240		-				
Height H3		-					520		540			
Height H4		-					820		890			
Type 42-36 E PICV												
Height H		390					465		520			
Diaphragm actuator		ØD = 225 mm, A = 160 cm ² ²⁾										
Weight for PN 16 ¹⁾ in kg (approx.)		13.5	14	15	21.5	22	24.5	51	56	71		

Nominal size	DN	With Types 3374-11/-21 Actuator				With Type 3374-15 Actuator				
		125	150	200	250	125	150	200	250	
Length L		400	480	600	730	400	480	600	730	
Height H1		460	590	730	730	460	590	730	730	
Height H3		680	710	825	825	510	595	660	690	
Height H4		830	860	975	975	860	950	1010	940	
Type 42-36 E PICV										
Height H		625	765	895	895	625	765	895	895	
Diaphragm actuator		ØD = 285 mm, A = 320 cm ² ³⁾								
Weight for PN 16 ¹⁾ in kg (approx.)		135	185	440	500	125	170	425	485	

¹⁾ +10 % for cast steel PN 40 and spheroidal graphite iron PN 25

²⁾ Optionally with 320 cm² actuator for DN 65 to 100. For regulators with double adapter (see ▶ T 3019) for DN 65 to 100: 320 cm² actuator recommended.

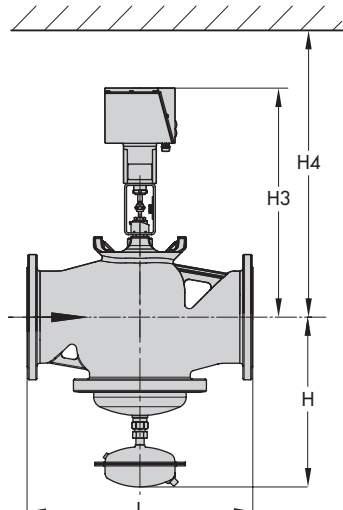
³⁾ Optionally with 640 cm² actuator and ØD = 390 mm

Fig. 5: Dimensions of the regulators with a valve balanced by a bellows

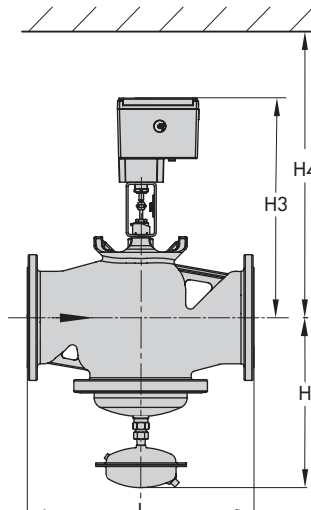
Dimensions and weights · Type 42-36 E with Type 2423 E Valve balanced by a diaphragm

Dimensional drawings · Type 2423 E Valve balanced by a diaphragm · DN 65 to 250

Type 42-36 E with Type 3274 Electrohydraulic Actuator



Type 42-36 E with Type 3374 Electric Actuator



Dimensions in mm and weights in kg

With Types 3274-11/-21 Actuator				
Nominal size DN	125	150	200	250
Length L	400	480	600	730
Height H	450	475	545	545
Height H3	680	710	825	825
Height H4	830	860	975	975
Weight ¹⁾ (approx.)	100	120	300	320

¹⁾ Based on cast iron (EN-JL1040), other materials +10 %

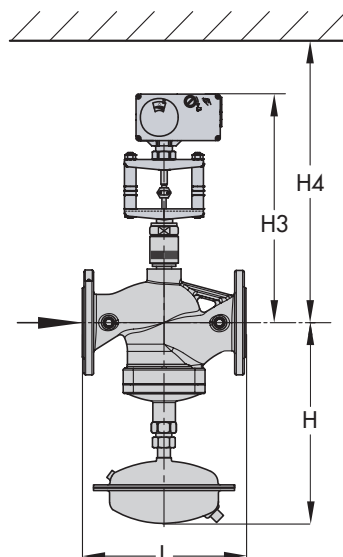
Dimensions in mm and weights in kg

With Types 3374-11/-21 Actuator				Type 3374-15			
Nominal size DN	65	80	100	125	150	200	250
Length L	290	310	350	400	480	600	730
Height H	355	355	380	450	475	545	545
Height H3	520	520	540	510	595	660	690
Height H4	820	820	890	860	950	1010	940
Weight ¹⁾ (approx.)	46	51	68	90	110	290	310

¹⁾ Based on cast iron (EN-JL1040), other materials +10 %

Dimensional drawing · Type 2423 E Valve balanced by a diaphragm · DN 65 to 100

Type 42-36 E with Type 5824-30 Electric Actuator



Dimensions in mm and weights in kg

With Type 5824-30 Actuator			
Nominal size DN	65	80	100
Length L	290	310	350
Height H	355	355	380
Height H3	430	430	450
Height H4	730	730	800
Weight ¹⁾ (approx.)	43	48	65

¹⁾ Based on cast iron (EN-JL1040), other materials +10 %

Fig. 6: Dimensions of the regulators with a valve balanced by a diaphragm

Ordering text

Type 42-36 E Pressure-independent Control Valve (PICV)

Valve balanced by a bellows/diaphragm DN ..., PN ..., K_{VS} ...

Differential pressure at the restriction ... bar,

Specifications subject to change without notice

With Type ... Electric Actuator

Power supply ... V, ... Hz

With Type ... Control Thermostat, set point range ... °C

Optionally, accessories, special version



SAMSON AG · MESS- UND REGELTECHNIK
Weismüllerstraße 3 · 60314 Frankfurt am Main, Germany
Phone: +49 69 4009-0 · Fax: +49 69 4009-1507
samson@samson.de · www.samson.de

T 3018 EN